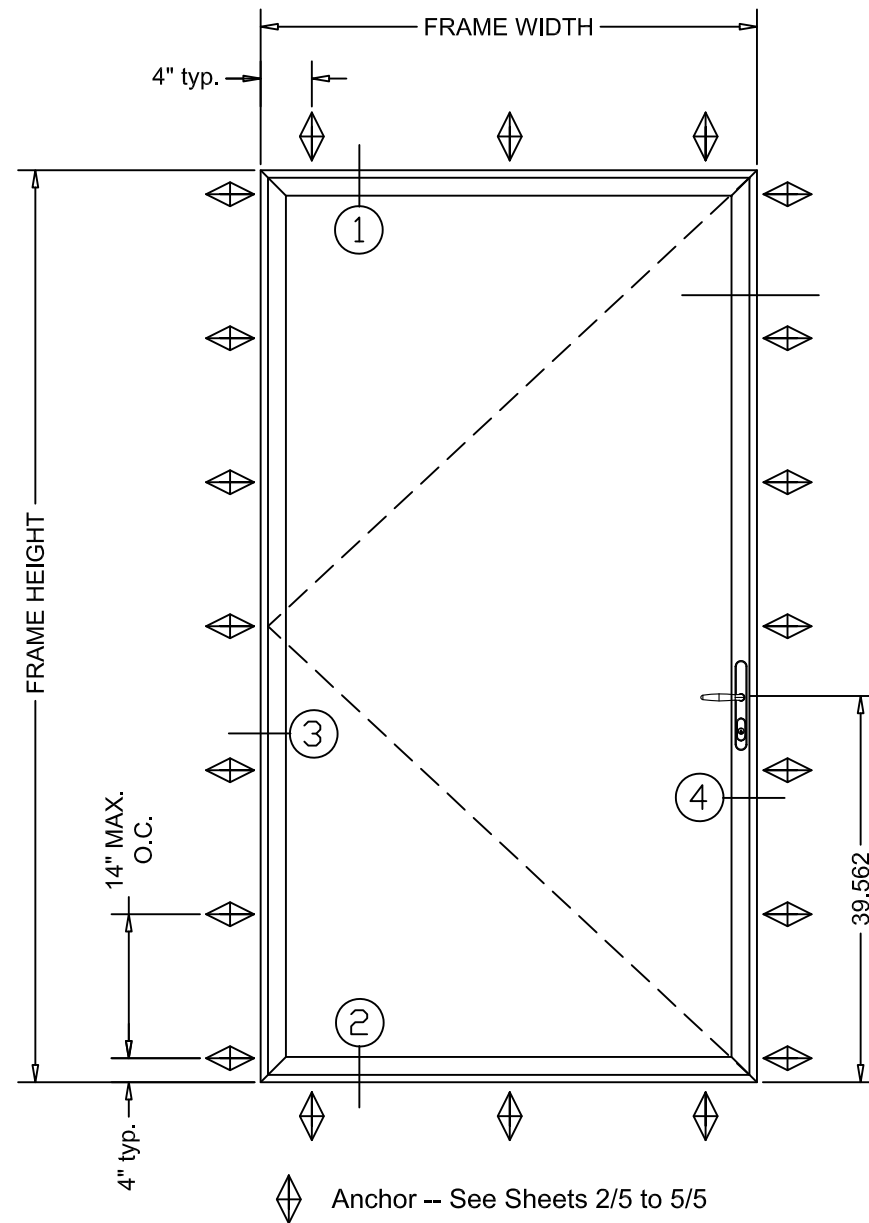


# M600 Outswing Terrace Door



## Mark A Standard Sill

Maximum Sizes and Design Pressure				
FW	FH	DOOR-W	DOOR-H	Pressure
48"	96"	46"	94 1/8"	± 70 PSF
DAYLIGHT OPENING		38"	86 1/8"	

Minimum Glazing  
 1" Insulating Glass  
 EXT - 3/16" Tempered Glass  
 INT - 3/16" Tempered Glass

### NOTES:

- Installations depicted satisfy the requirements of the Florida Building Code, Building 8th Edition (2023) for design wind pressures and overall sizes noted.
- Wood bucks, wood framing, steel stud framing, concrete and concrete masonry are by others and shall be designed by the architect or engineer of record to resist the loads imparted to them.
- Wood bucks and wood framing are assumed SYP (G=0.55) or denser. Buck width shall be greater than the door frame width. Tapered or partial width buck strips are not allowed.
- Steel stud frames are assumed to be a minimum 18 gauge 33 KSI steel.
- Concrete masonry (CMU) shall conform to ASTM C90
- Concrete shall be minimum  $f'c = 3,000$  psi
- Wood screws shall meet requirements of ANSI/ASME B18.6.1.
- TEKS screws shall be ASTM A510 Grade 1018 or equivalent.
- Hilti Kwik-Con II+ anchors as specified in NOA 21-0628.20.
- Maximum shim thickness 1/4".
- Products are not impact resistant and require an approved protection device if used in windborne debris regions.
- Not for use in High Velocity Hurricane Zone (HVHZ).

### CONTENTS

Sheet 1/6	Elevations and Notes
Sheets 2/6 - 5/6	Installation Details
Sheet 6/6	Optional Items

Project Name: **M600 OUTSWING TERRACE DOOR**

INSTALLATION INSTRUCTIONS

**INSTALLATION DETAILS**

QUAKER WINDOW PRODUCTS WILL NOT BE RESPONSIBLE FOR FIELD MEASUREMENT, QUANTITIES, & INSTALLATION DESIGN. CONTRACTOR MUST VERIFY ALL DIMENSIONS.

By:	Date:
By:	Date:
By:	Date:

PHONE (573)-744-5211  
 FAX (573)-744-5586  
 COMMERCIAL  
 FAX (573)-744-5822  
 www.quakerwindows.com

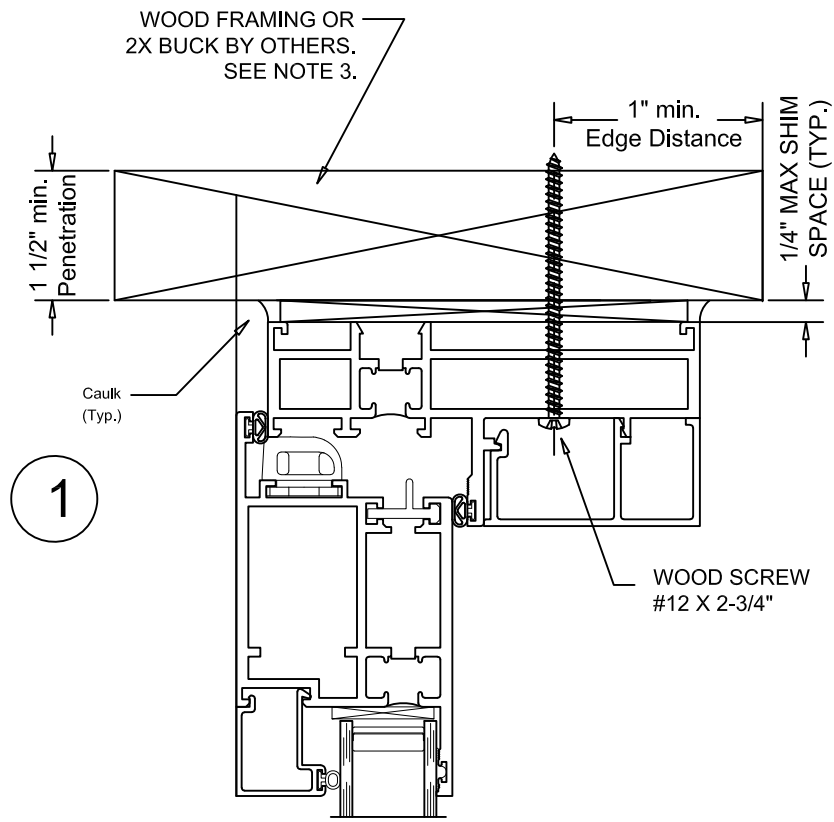
Scale: **NONE**  
 Sheet #: **1 of 6**

**QUAKER**  
 Commercial Window and Door

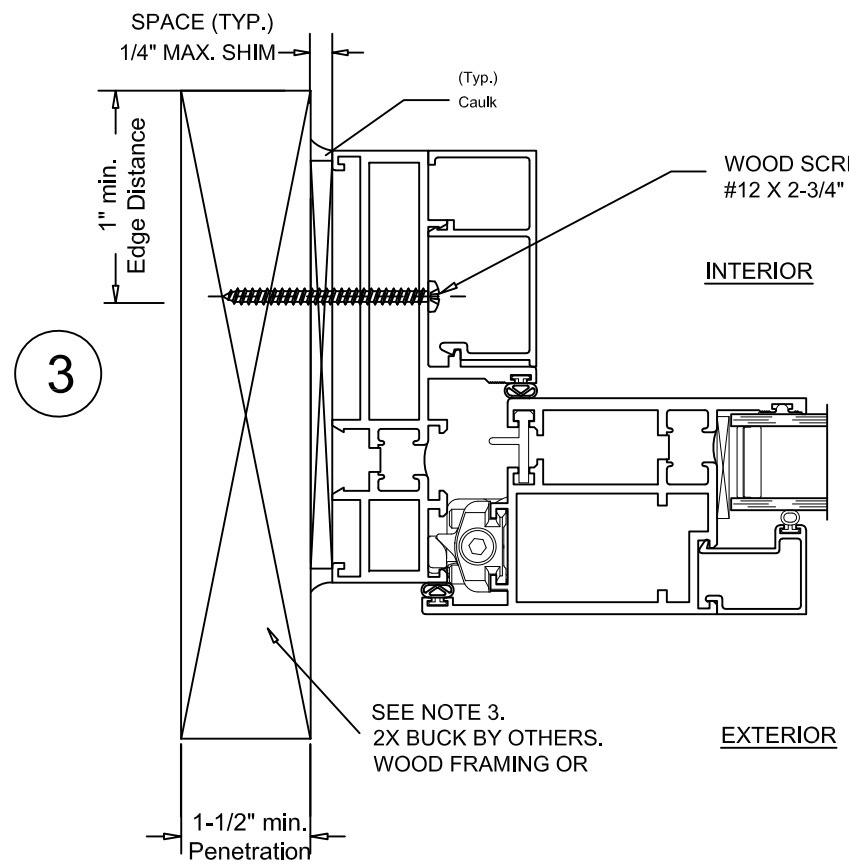
504 Highway 63 South  
 Freeburg, MO 65035  
 drafting@quakerwindows.com

Drawn By: **BUD**  
 Date: **11-10-2023**

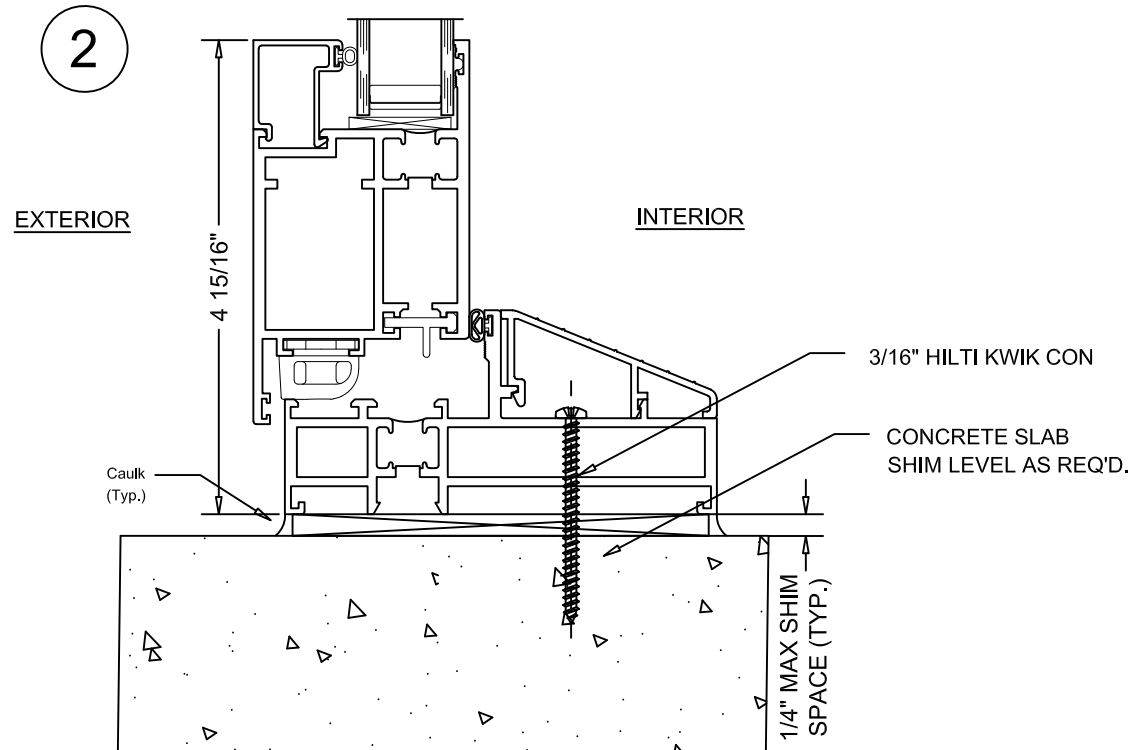
Tanya A. Dolby, P.E.  
 FL P.E. No. 93536  
 Intertek – ATI  
 130 Derry Ct. York, PA 17406  
 (717) 764-7700  
 Project: Q7220.01



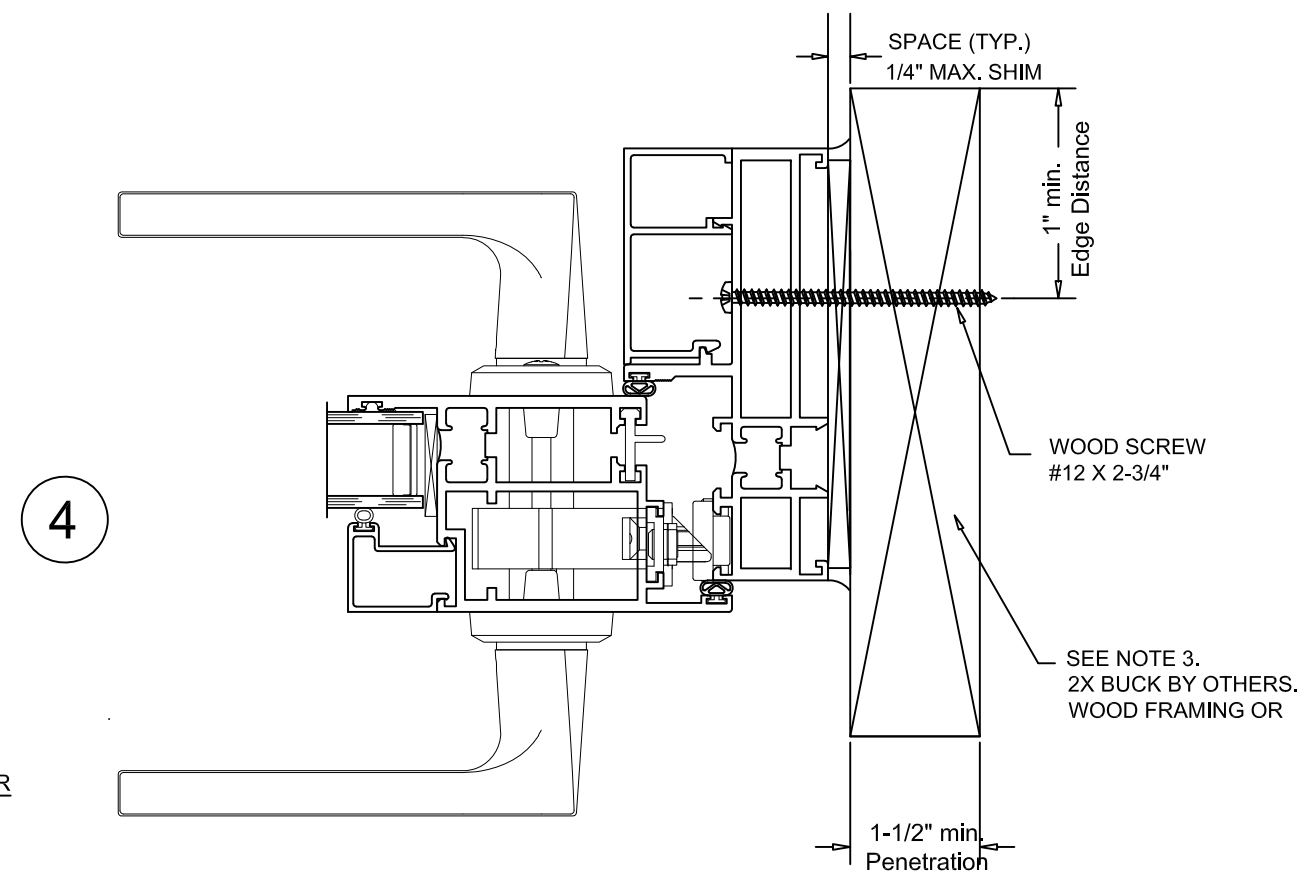
1



3



2



4

Tanya A. Dolby, P.E.  
 FL P.E. No. 93536  
 Intertek – ATI  
 130 Derry Ct. York, PA 17406  
 (717) 764-7700  
 Project: Q7220.01

VERTICAL SECTION DETAIL  
 WOOD FRAMING ON CONCRETE SLAB

HORIZONTAL SECTION DETAIL  
 WOOD FRAMING ON CONCRETE SLAB

Project Name: **M600 OUTSWING TERRACE DOOR**  
**INSTALLATION INSTRUCTIONS**

**INSTALLATION DETAILS**

By:	Date:
By:	Date:
By:	Date:

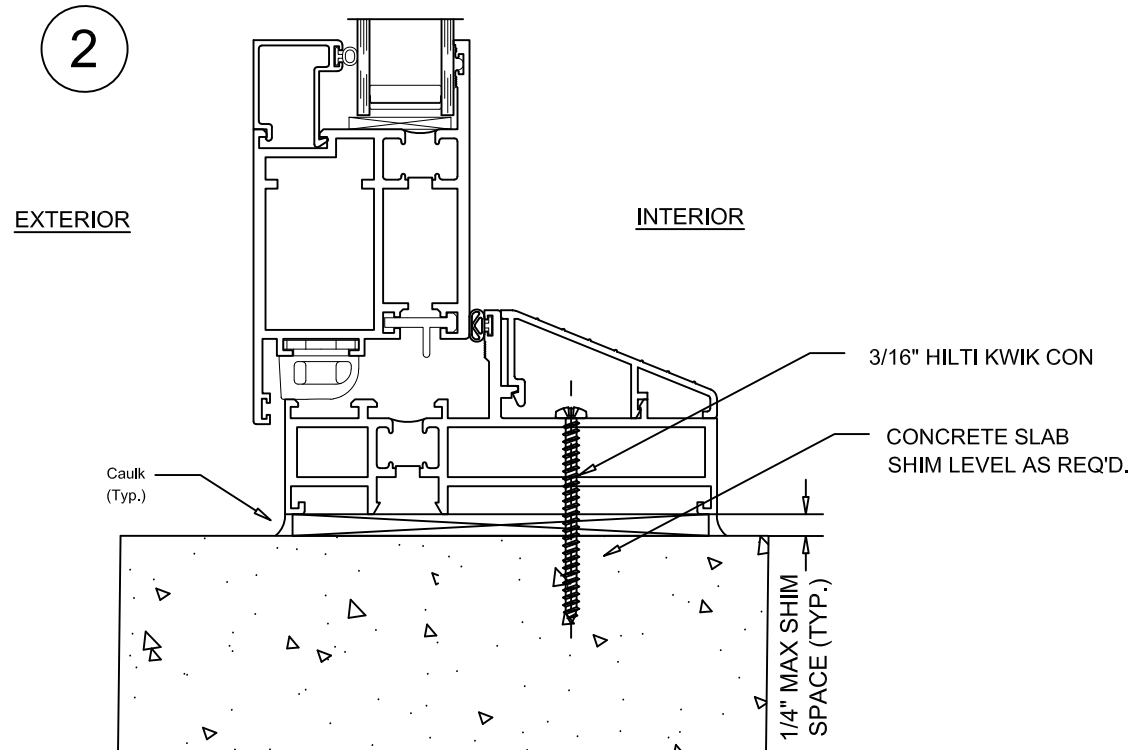
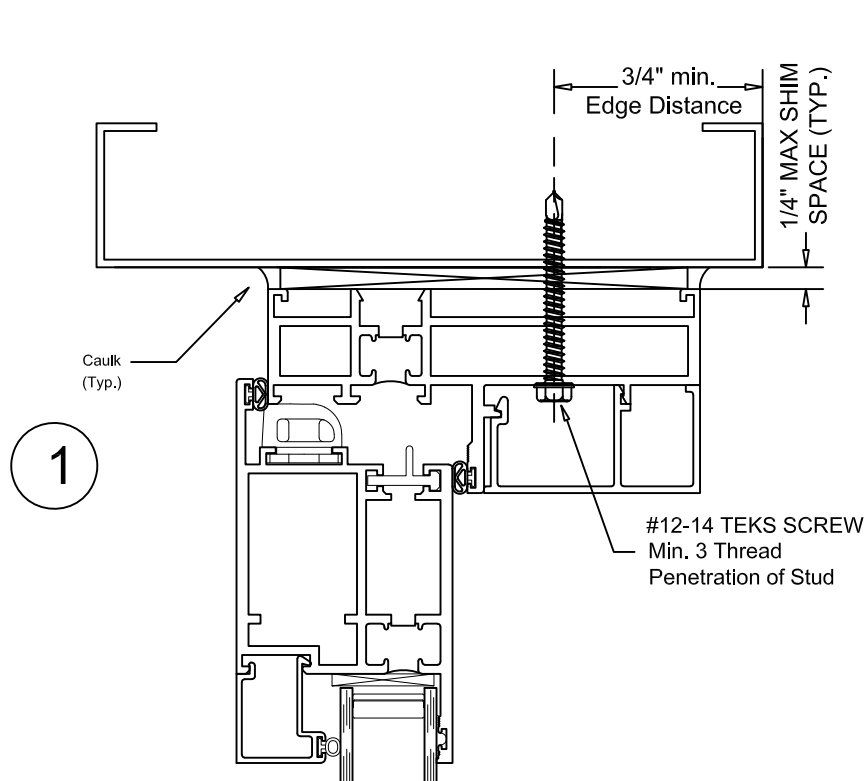
DESCRIPTION: **INSTALLATION DETAILS**  
 QUAKER WINDOW PRODUCTS WILL NOT BE RESPONSIBLE FOR FIELD MEASUREMENT, QUANTITIES, & INSTALLATION DESIGN. CONTRACTOR MUST VERIFY ALL DIMENSIONS.

PHONE (573)-744-5211  
 FAX (573)-744-5586  
 COMMERCIAL  
 www.quakerwindows.com  
 Scale: NONE  
 Sheet #: 2 of 6

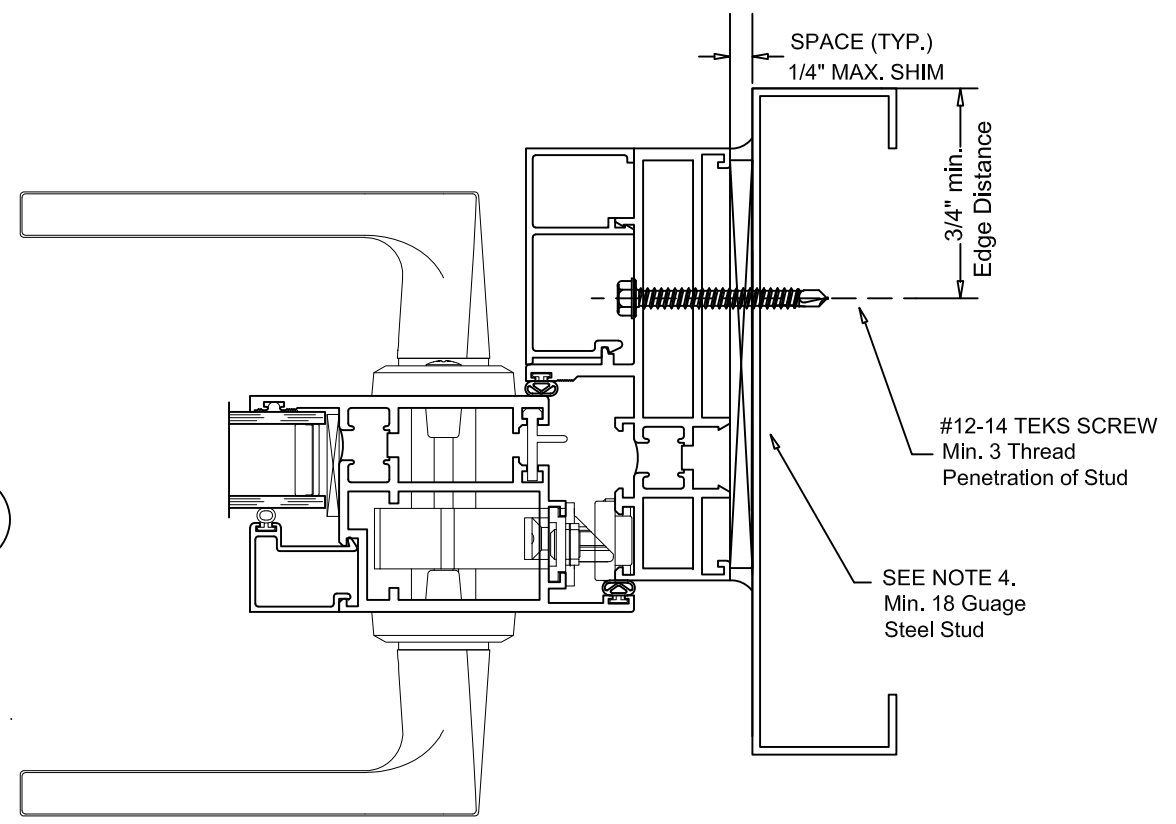
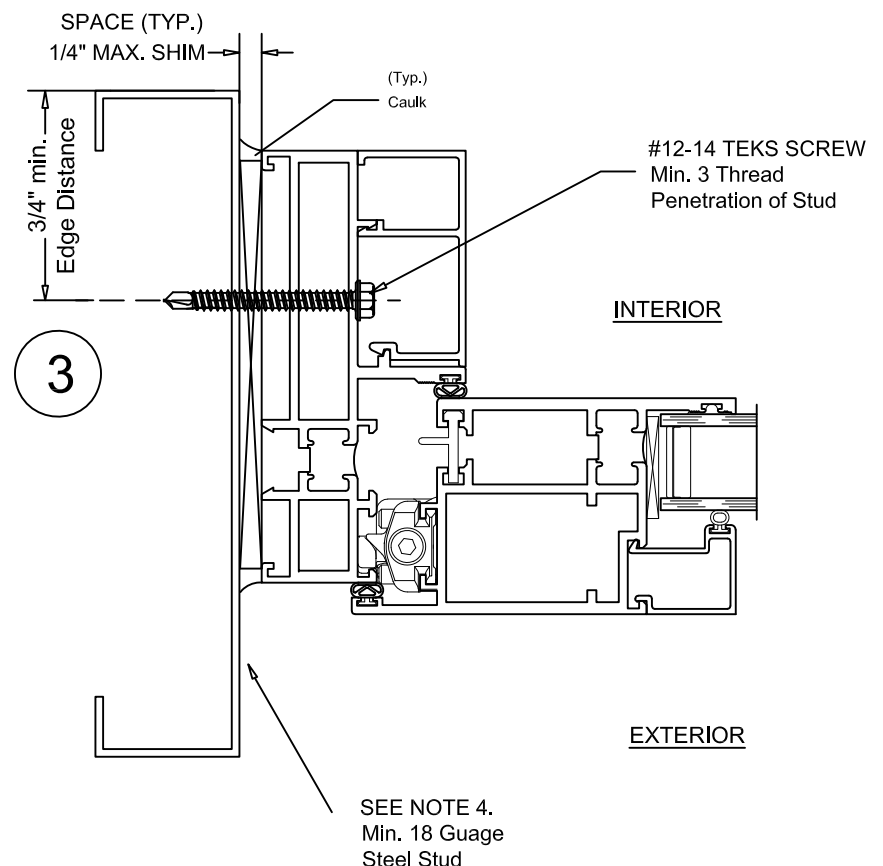
**QUAKER**  
 COMMERCIAL WINDOW AND DOOR

504 Highway 63 South  
 Freeburg, MO 65035  
 drafting@quakerwindows.com

Drawn By: **BUD**  
 Date: **11-10-2023**



VERTICAL SECTION DETAIL  
WOOD FRAMING ON CONCRETE SLAB



HORIZONTAL SECTION DETAIL  
STEEL FRAMING ON CONCRETE SLAB

Tanya A. Dolby, P.E.  
FL P.E. No. 93536  
Intertek - ATI  
130 Derry Ct. York, PA 17406  
(717) 764-7700  
Project: Q7220.01

Project Name: **M600 OUTSWING TERRACE DOOR**  
**INSTALLATION INSTRUCTIONS**

Description: **INSTALLATION DETAILS**

By:	Date:	Revision #:
By:	Date:	Revision #:
By:	Date:	Revision #:

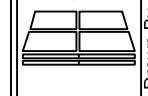
QUAKER WINDOW PRODUCTS  
WILL NOT BE RESPONSIBLE  
FOR FIELD MEASUREMENT,  
QUANTITIES, & INSTALLATION  
DESIGN. CONTRACTOR MUST  
VERIFY ALL DIMENSIONS.

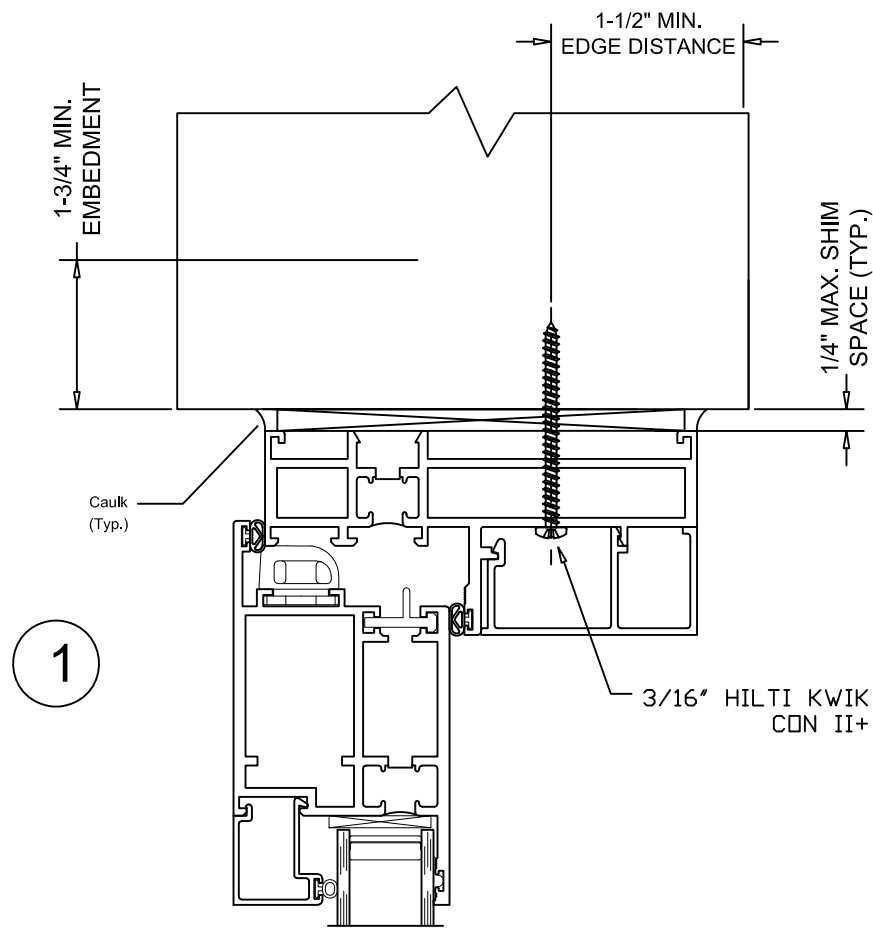
PHONE (573)-744-5211  
FAX (573)-744-5586  
COMMERCIAL  
FAX (573)-744-5822  
www.quakerwindows.com

Scale: NONE  
Sheet #: 3 of 6

504 Highway 63 South  
Freeburg, MO 65035  
drafting@quakerwindows.com

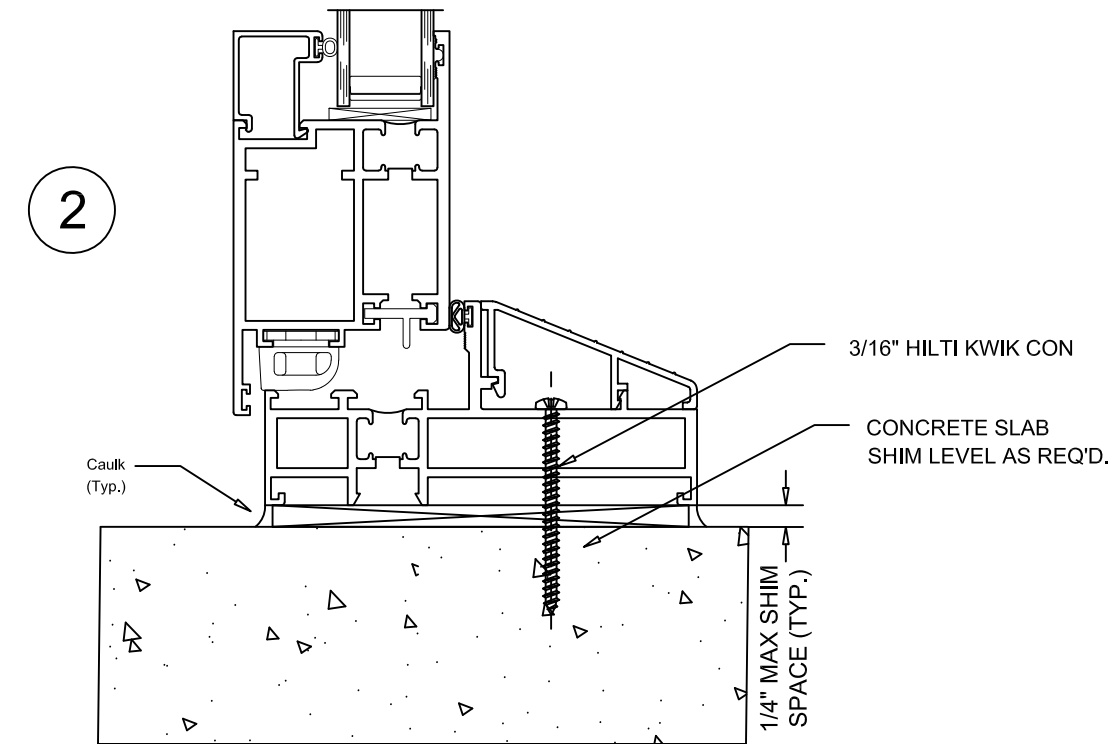
Drawn By: BUD  
Date: 11-10-2023



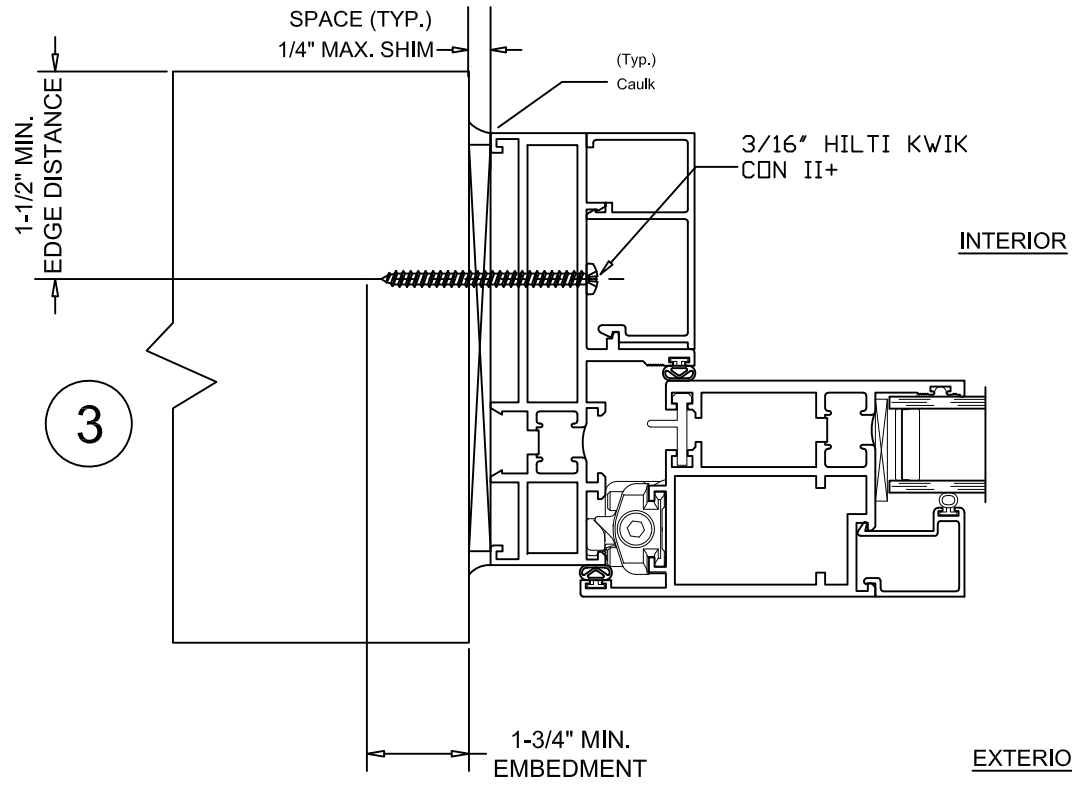


EXTERIOR

INTERIOR

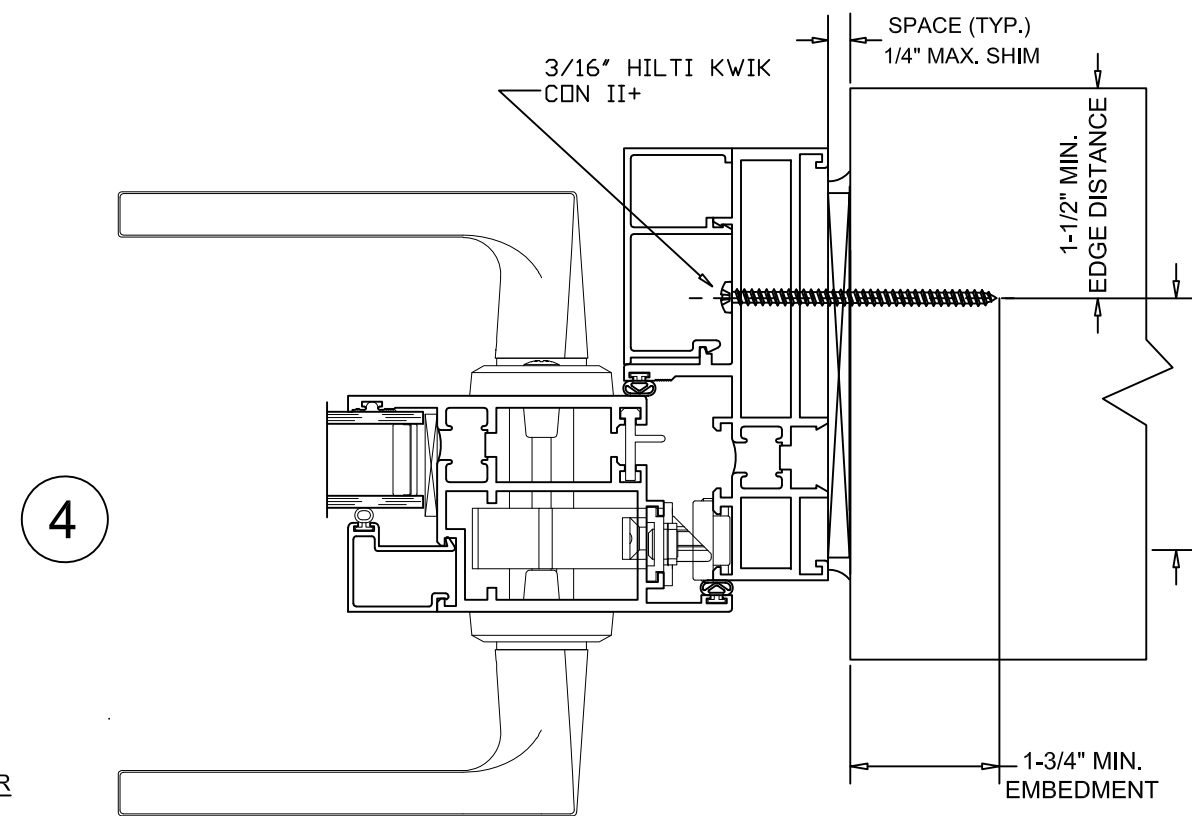


VERTICAL SECTION DETAIL  
CONCRETE FRAMING ON CONCRETE SLAB



INTERIOR

EXTERIOR



INTERIOR

EXTERIOR

HORIZONTAL SECTION DETAIL

CONCRETE FRAMING ON CONCRETE SLAB

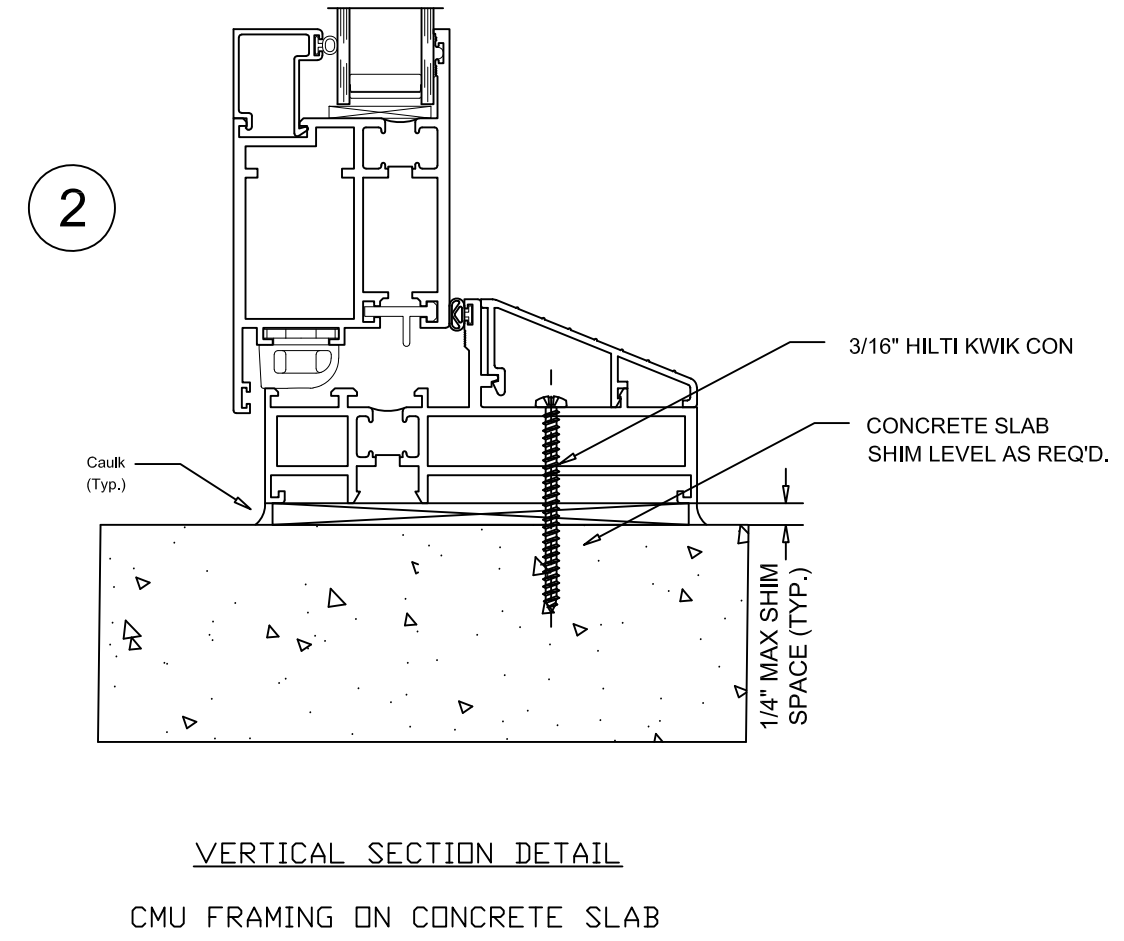
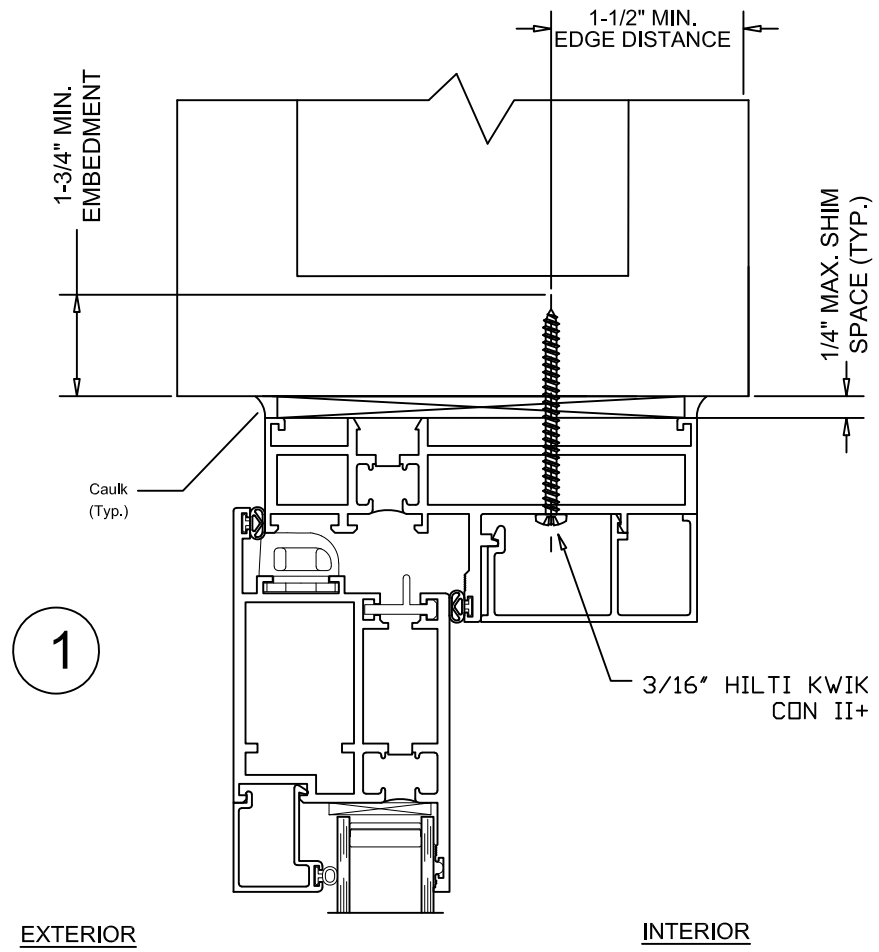
Tanya A. Dolby, P.E.  
FL P.E. No. 93536  
Intertek - ATI  
130 Derry Ct. York, PA 17406  
(717) 764-7700  
Project: Q7220.01

INSTALLATION DETAILS

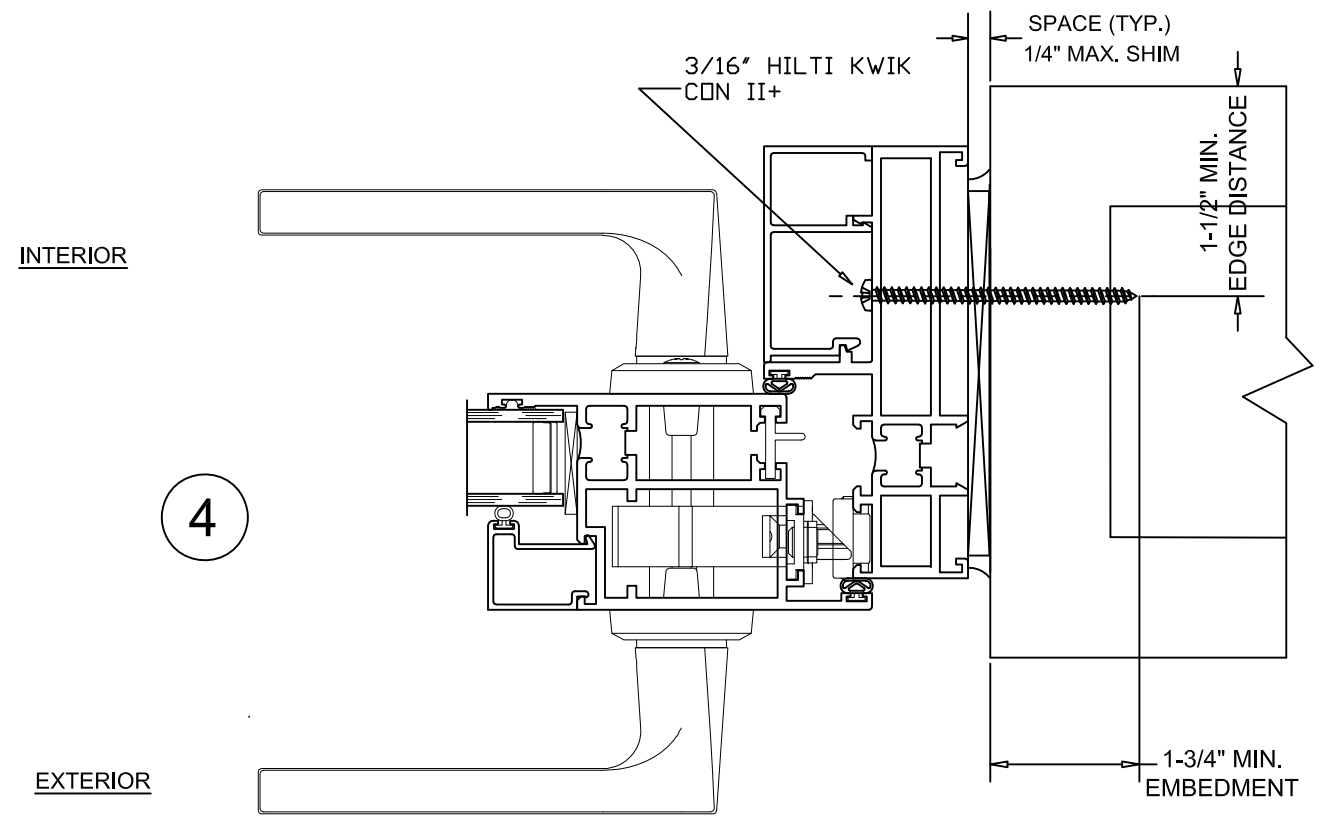
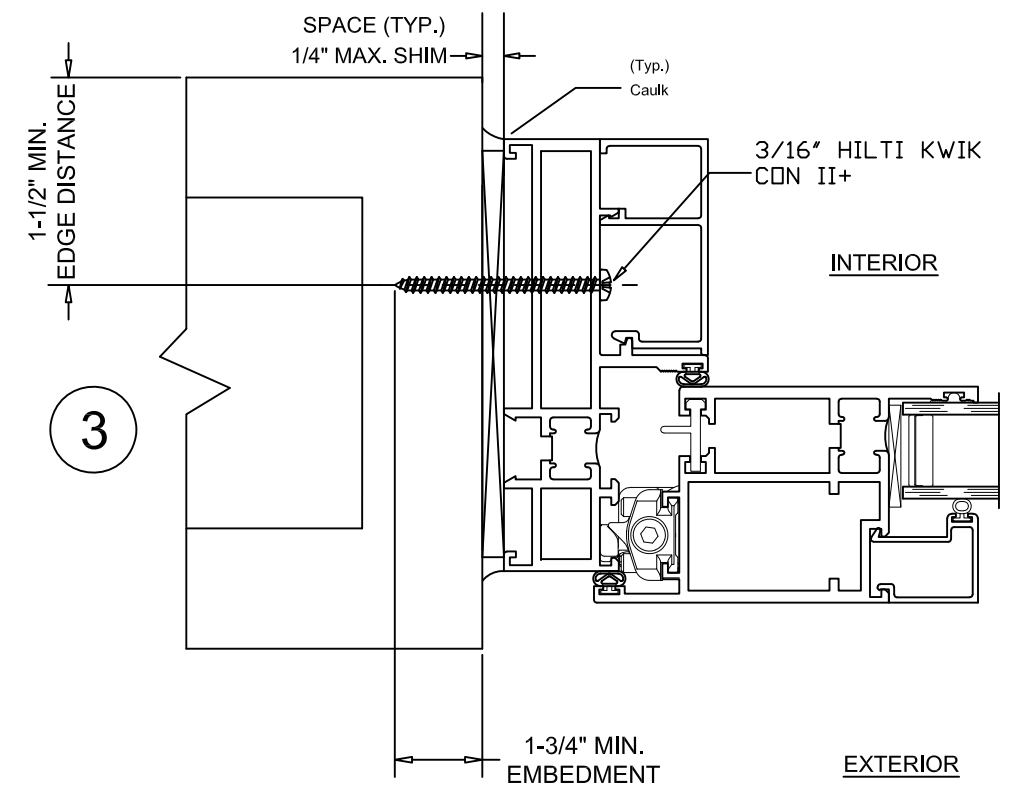
PHONE (573)-744-5211	Revision #:	By:
FAX (573)-744-5586	QUAKER WINDOW PRODUCTS	Date:
COMMERCIAL	WILL NOT BE RESPONSIBLE	By:
FAX (573)-744-5822	FOR FIELD MEASUREMENT,	Date:
www.quakerwindows.com	QUANTITIES, & INSTALLATION	Revision #:
Scale:	DESIGN, CONTRACTOR MUST	Date:
504 Highway 63 South	VERIFY ALL DIMENSIONS.	By:
Freeburg, MO 65035		
drafting@quakerwindows.com		
Drawn By: BUD		
Date: 11-10-2023		

Project Name: **M600 OUTSWING TERRACE DOOR**  
**INSTALLATION INSTRUCTIONS**





VERTICAL SECTION DETAIL  
CMU FRAMING ON CONCRETE SLAB



Tanya A. Dolby, P.E.  
FL P.E. No. 93536  
Intertek – ATI  
130 Derry Ct. York, PA 17406  
(717) 764-7700  
Project: Q7220.01

Project Name: **M600 OUTSWING TERRACE DOOR**

INSTALLATION INSTRUCTIONS

Revision #	Date	By

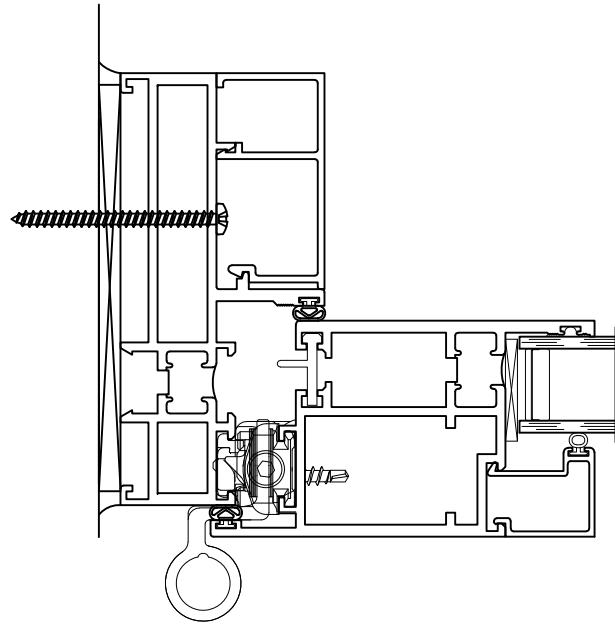
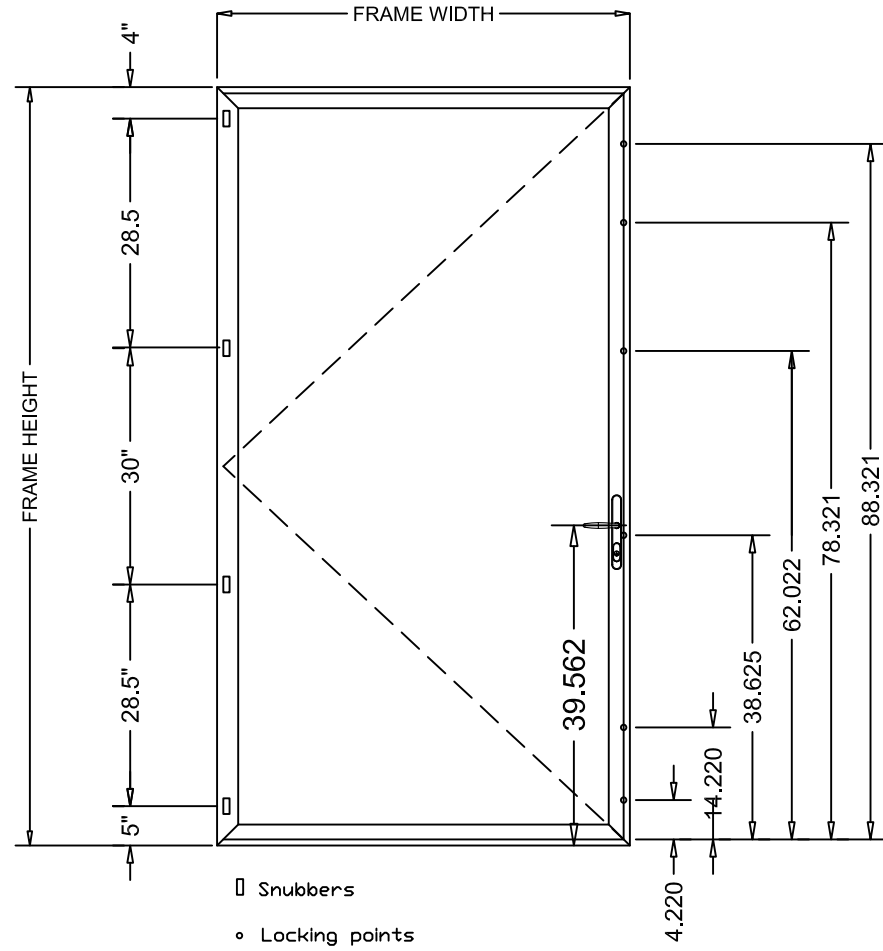
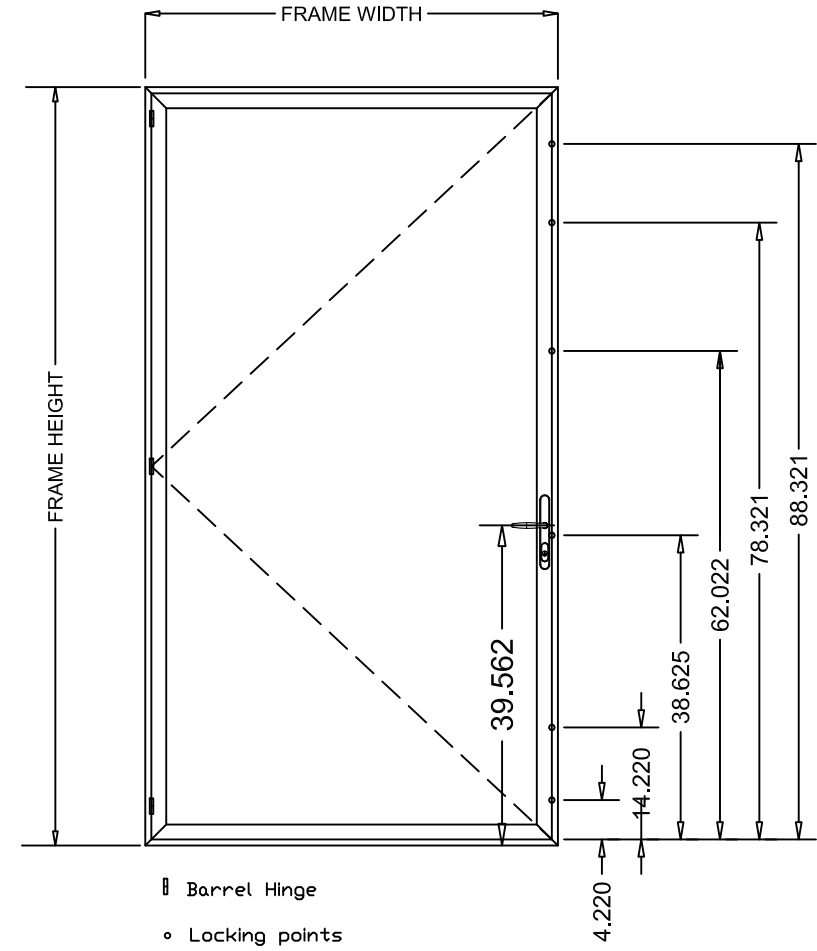
DESCRIPTION: **INSTALLATION DETAILS**

QUAKER WINDOW PRODUCTS WILL NOT BE RESPONSIBLE FOR FIELD MEASUREMENT, QUANTITIES, & INSTALLATION DESIGN. CONTRACTOR MUST VERIFY ALL DIMENSIONS.

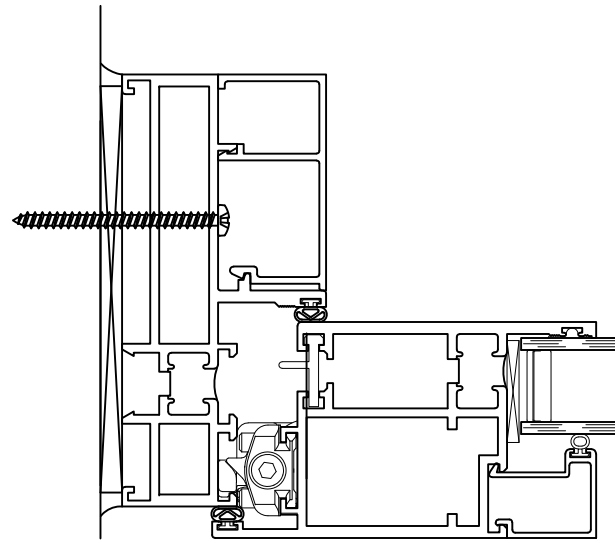
PHONE (573)-744-5211  
FAX (573)-744-5586  
COMMERCIAL  
www.quakerwindows.com  
Scale: NONE  
Sheet #: 5 of 6

504 Highway 63 South  
Freeburg, MO 65035  
drafting@quakerwindows.com

Drawn By: **BUD**  
Date: **11-10-2023**



Barrel Hinge



Concealed Pivot

Tanya A. Dolby, P.E.  
 FL P.E. No. 93536  
 Intertek – ATI  
 130 Derry Ct. York, PA 17406  
 (717) 764-7700  
 Project: Q7220.01

Description:  
**INSTALLATION DETAILS**

PHONE (573)-744-5211  
 FAX (573)-744-5586  
 COMMERCIAL  
 FAX (573)-744-5822  
 www.quakerwindows.com  
 Scale: NONE  
 Sheet #: 6 of 6



Drawn By: BUD  
 Date: 11-10-2023  
 504 Highway 63 South  
 Freeburg, MO 65035  
 drafting@quakerwindows.com

QUAKER WINDOW PRODUCTS  
 WILL NOT BE RESPONSIBLE  
 FOR FIELD MEASUREMENT,  
 QUANTITIES, & INSTALLATION  
 DESIGN. CONTRACTOR MUST  
 VERIFY ALL DIMENSIONS.

Revision #	Date	By

Project Name:

**M600 OUTSWING TERRACE DOOR**

**INSTALLATION INSTRUCTIONS**